

Fixed Capacitor Bank Neutral Current Indicator



The Fisher Pierce Series 1580 Neutral Current Indicator continuously monitors the neutral current of a fixed distribution capacitor bank. When a capacitor fails and blows the fuse in one phase of the bank, the capacitor neutral current becomes unbalanced. This unbalance is sensed by the Series 1580 Neutral Current Indicator.

The design of the neutral current indicator is based on Fisher Pierce's field proven line of faulted circuit indicators. The indicator uses the current sensor to detect neutral current unbalance and to provide power for the circuitry.

Attached to a neutral conductor, the indicator provides a continuous check on the capacitor bank. It will flash a high intensity LED whenever it senses high neutral current (typically 15 amps). The flashing rate of the LED indicates the magnitude of the neutral current. No battery is required.

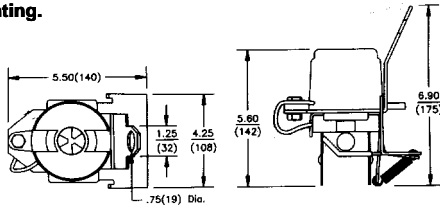


Features

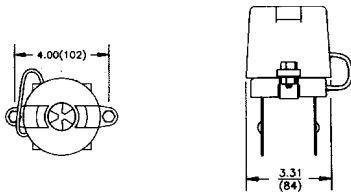
- High intensity LED.
- No battery required.
- Easy installation.
- Hotstick or tie-wrap mounted.
- Remote or integral sensor.
- Lexan® housing and epoxy-coated sensors ensure long, trouble-free service life.

Mechanical Data (All dimensions in inches with millimeter equivalents in parentheses.)

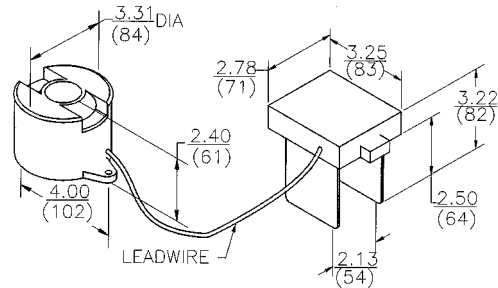
**Indicator with Attached Sensor.
Hotstick Mounting.**



**Indicator with Attached Sensor.
Tie Wrap Mounting.**



Remote Bracket Mounting Indicator



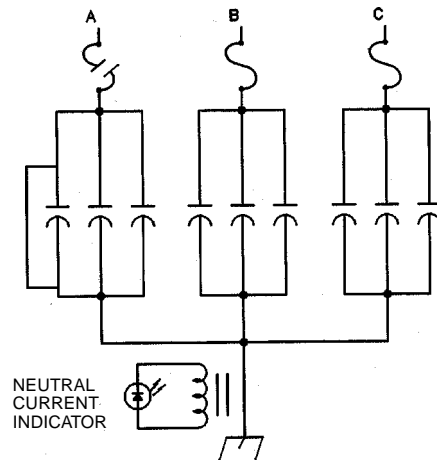
Specifications

- Operating Range:** 15 – 200 Amp
- Operating Temperature Range:** -40°C to +85°C
- Continuous Load Current:** 200 Amp
- Overload Capability:** 25,000A for 10 cycles
- Maximum Cable Diameter:** 1 5/8"

Ordering Information

- Series 1580-10** Indicator with hotstick clamp.
- Series 1580-20** Indicator with 10 foot remote sensor and tie-wrap mounting.
- Series 1580-30** Indicator with integral sensor. Tie-wrap mounting.

Installation Application



90 Libbey Parkway, Weymouth, MA 02189 U.S.A.
Tel: (781) 340-0700 • Fax: (781) 340-0728
www.fisherpierce.com



4000 East 116th St., Cleveland, Ohio 44105-4398 USA
Tel: (216) 271-6600 • Fax: (216) 341-3615
www.joslynhivoltage.com

1560 55th Avenue, Lachine, Quebec, Canada H8T 3J5
(514) 631-6145 • Fax (514) 631-1215