

VBM Transfer Switches & Controls

*Preferred Alternate arrangements provide quick
restoration of service and automatic fault isolation
for 15kV-69kV applications!*



Features/Benefits

- Automatic restoration of service
- Automatic fault isolation for a faulted load with reclosing sectionalizer logic
- No interconnection required between controls eliminating distance limitations (certain models)
- High speed transfer option of 6 cycles with solenoid operator
- No current coordination problems
- Remote status and control available

Ratings

System Voltage (KV)	Continuous Current (A)	Interrupting Rating (A) (RMS Ampere Symmetrical)	Fault Closing & Momentary Current Rating (A) (RMS Ampere Asymmetrical)
15	400	3000	20,000
15	600	4000 or 8000	20,000
25 ⁽¹⁾	400	3000	20,000
25	600	3000	20,000
34.5 ⁽¹⁾	600	600	20,000
34.5	300 or 600	3000	15,000
46	300 or 600	3000	15,000
69 ⁽²⁾	300	3000	15,000

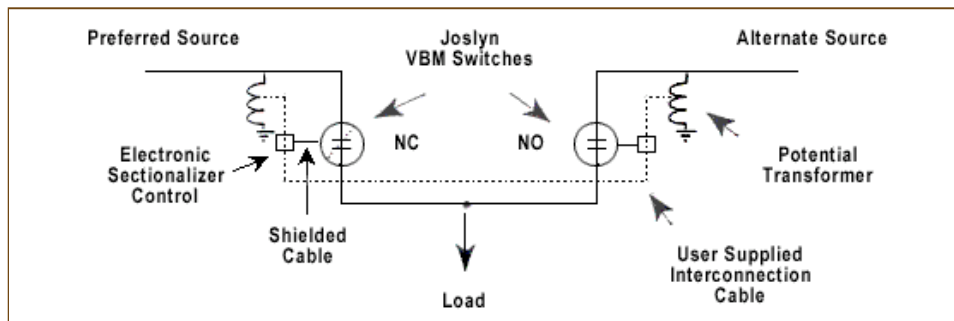
⁽¹⁾ Solidly grounded system

⁽²⁾ Solenoid-operated, 3-mechanisms

Ordering Information

1. Select VBM switch from ratings table above.
2. Select mounting frame:
 - Standard wood pole
 - Frame with current sensor mounting provisions
 - Frame with integral isolating switches
3. Select control and options. (Refer to Sectionalizer brochure DB750-202.)
4. Specify cable length between VBM switch and control.
5. Specify distance between controls.

**Add Smarlink communications
for instant notification of
transfer system status!**



4000 E. 116th St. Cleveland, OH 44105 USA
 Phone: (216) 271-6600 Fax: (216) 341-3615
www.joslynhivoltage.com Email: jhvinfo@tnb.com